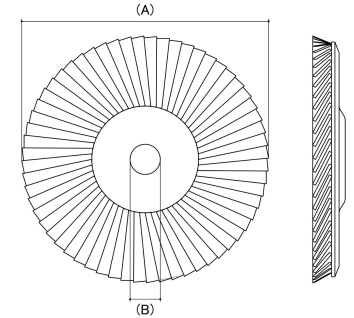


## Silver Series Flap Disc

Country Of Origin: Europe

Brand: Alpha

Application: Mild Steel, Stainless Steel & Sheet Metal



*CAD drawings shown for graphic representation only.\**

Size (A) (mm)	Grit	Grade	Bore (B) (mm)	Grain	Max Operating Speed	sku (qfind)
			Nom			
100	40	Ultra Coarse	16.00	Aluminium Oxide	80 m/s	16FD1001640
100	60	Coarse	16.00	Aluminium Oxide	80 m/s	16FD1001660
100	80	Coarse	16.00	Aluminium Oxide	80 m/s	16FD1001680
100	120	Medium	16.00	Aluminium Oxide	80 m/s	16FD10016120
115	40	Ultra Coarse	22.20	Aluminium Oxide	80 m/s	16FD1152240
115	60	Coarse	22.20	Aluminium Oxide	80 m/s	16FD1152260
115	80	Coarse	22.20	Aluminium Oxide	80 m/s	16FD1152280
115	120	Medium	22.20	Aluminium Oxide	80 m/s	16FD11522120
125	40	Ultra Coarse	22.20	Aluminium Oxide	80 m/s	16FD1252240
125	60	Coarse	22.20	Aluminium Oxide	80 m/s	16FD1252260
125	80	Coarse	22.20	Aluminium Oxide	80 m/s	16FD1252280
125	120	Medium	22.20	Aluminium Oxide	80 m/s	16FD12522120
178	40	Ultra Coarse	22.20	Zirconia	80 m/s	16FD1782240Z
178	60	Coarse	22.20	Zirconia	80 m/s	16FD1782260Z

Size (A) (mm)	Grit	Grade	Bore (B) (mm)	Grain	Max Operating Speed	sku (qfind)
			Nom			
178	80	Coarse	22.20	Zirconia	80 m/s	16FD1782280Z
178	120	Medium	22.20	Zirconia	80 m/s	16FD17822120Z

**Disclaimer:**

Dimensional data and technical information was obtained from publically available sources and not acquired through standard agencies. It has been completed and compiled for reference purposes only; where discrepancies are found they are subject to change without notice. Bolt & Nut Australia makes no warranties or representations regarding the accuracy and validity of the compiled information and data. Contact the relevant standard authorities for accurate and detailed information.

\* CAD drawings may not reflect diameter, thread length or overall length.

© Bolt & Nut Australia Pty Ltd. All rights reserved.

Version: 18 Mar 2024